

SALES INFORMATION

02-2021 // 2021-FEB-25 // Change of CR/SU valve cable plugs

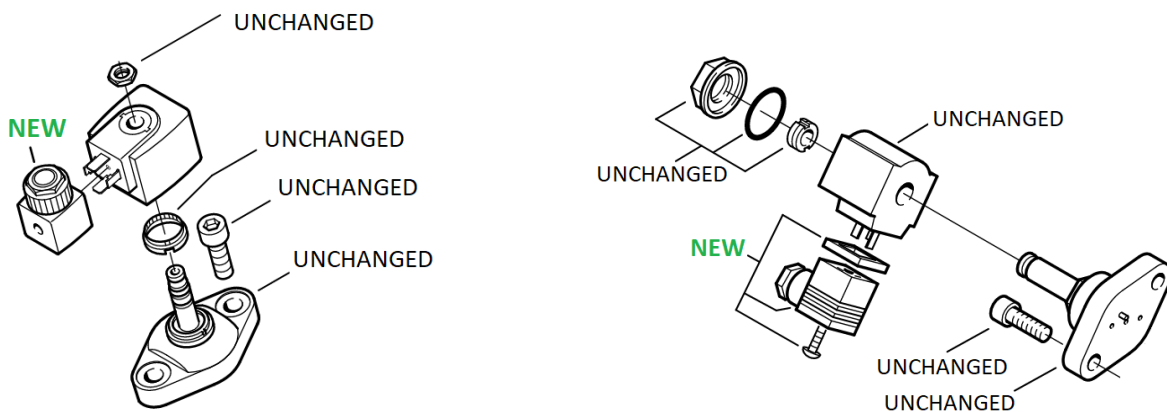
NEW CABLE PLUG FOR CR/SU VALVE

GENERAL

Our supplier will change the design of the cable plug used on screw compressors for the capacity control and start unloading valves (CR/SU). This change concerns all CR/SU valves **on all screw compressor series**. The new cable plugs will have the same approvals and features but will slightly differ in design and outer dimensions.

Currently, the cable plugs are mounted on the coil of the CR valve as delivered. In the future, the cable plugs will be placed in the terminal box in an accessory bag. This change may impact the assembly process for our customers in their factory, please inform all involved customers as soon as possible.

Note: The valves and coils for CR/SU functions will remain unchanged.



AFFECTED SERIES

All screw compressors with CR or SU are concerned. Depending on the screw compressor series, the changes will be different. Therefore the compressor series are divided in two groups:

GROUP A	GROUP B
CS.65..CS.105 – all sizes	HS.53..HS.74 – all sizes
HS.85..HS.95 – all sizes	OS.53..OS.74 – all sizes
OS.85..OS.95 – all sizes	VSK3162 /VSK41

SALES INFORMATION

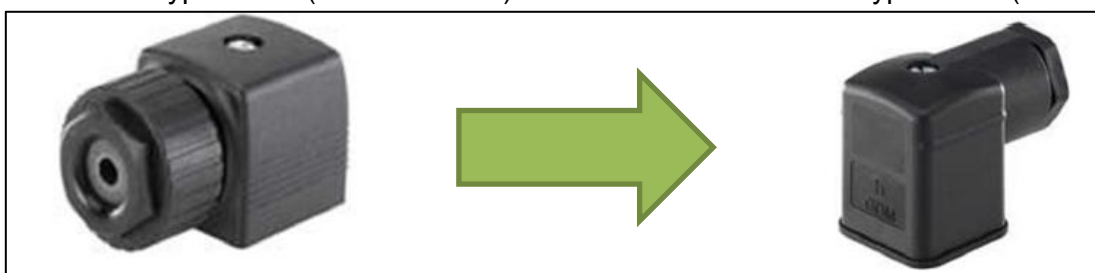
02-2021 // 2021-FEB-25 // Change of CR/SU valve cable plugs

NEW TYPE OF CABLE PLUG

Group A compressor series are currently equipped with cable plugs from Bürkert type 2508 and will be changed to Bürkert **type 2518**. For dimensional drawings please see the appendix.

Previous execution "type 2508" (P/N 38901901)

New execution "type 2518" (P/N 38901902)

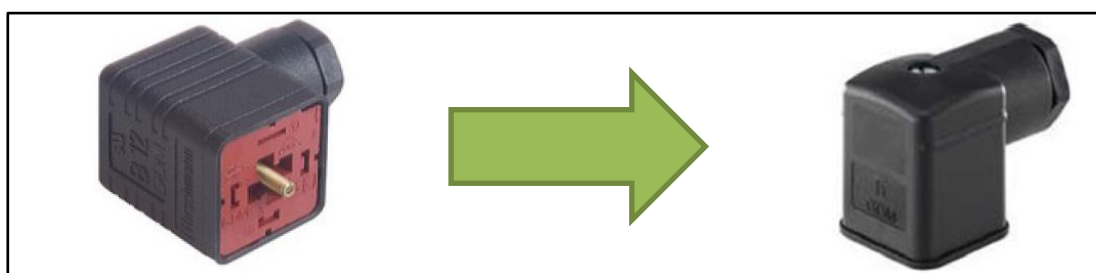


Picture 1: previous and new execution of the cable plug – changeover affecting CS, HS/OS.85-95

Group B compressor series are currently equipped with cable plugs from Hirschmann type GDM 2009 and will also be changed to Bürkert type 2518.

Previous execution "GDM 2009" (38900201)

New execution "type 2518" (38901902)



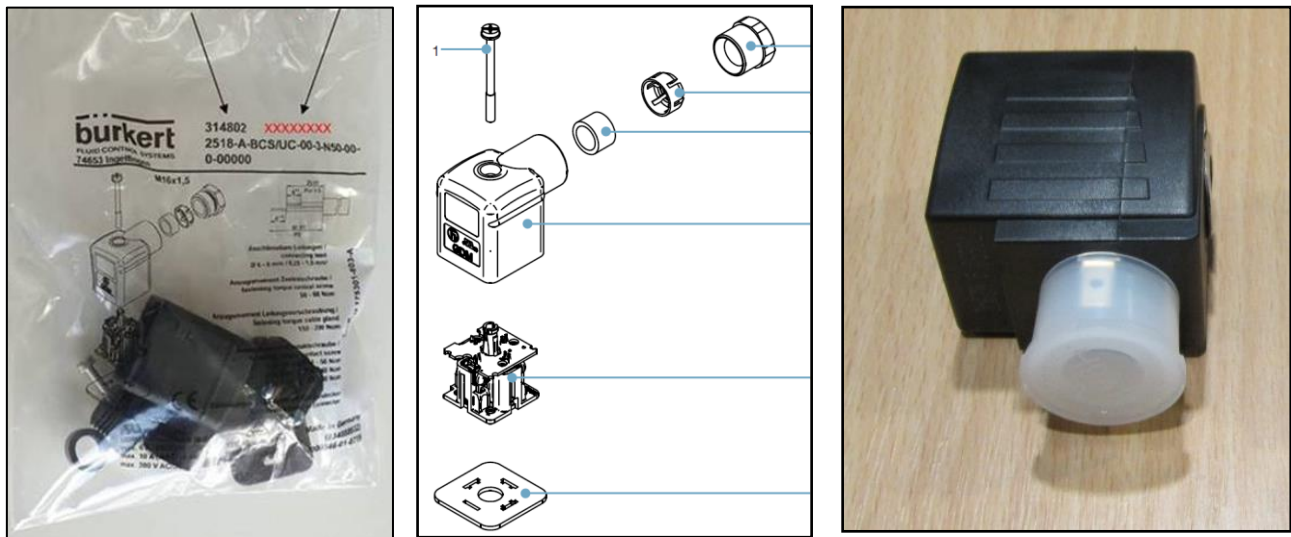
Picture 2: previous and new execution of the cable plug – changeover affecting HS/OS.53-74, VSK

DELIVERY / ASSEMBLY OF THE NEW CABLE PLUG

In future, the cable plugs **will not be mounted** on the coils of the CR/SU valves. The new cable plugs will be delivered in a separate plastic bag and will be stored in the terminal box during transport. For open-type compressors OS-Series, the cable plugs will be stored in the accessories box. The pins of the coils will be protected with a protective cap during transport.

SALES INFORMATION

02-2021 // 2021-FEB-25 // Change of CR/SU valve cable plugs



From left to right:

- Picture 3: packaging of the new cable plug (P/N 38901902).
- Picture 4: assembly of the new cable plug printed on the plastic bag
- Picture 5: protective cap mounted on a coil

The assembly process on customer's side is simplified and faster. For each single CR/SU valve, the customer has to follow less assembly steps (time saving !);

1. Wire the cables to the cable plug
2. Assemble the cable plug
3. Connect the cable plug on the coils

Important: compressors equipped with an IQ MODULE (CM-SW-01 or CSV-Series) will be equipped with the new cable plugs mounted ex-factory, as today.

TIMELINE FOR INTRODUCTION

- Production change-over in ROT will take place during 2021-W19 and 2021-W20
- Production change-over in BRT will take place during 2021-W19 and 2021-W20

Further details about the change-over date and serial number will follow.



SALES INFORMATION

02-2021 // 2021-FEB-25 // Change of CR/SU valve cable plugs

SPARE PARTS

The old cable plugs (P/N 38900201 and 38901901) will not be available as spare part anymore. These parts will be replaced by the new cable plug (P/N 38901902).

The new cable plug "type 2518" is fully backward compatible with the cable plugs offered today for CR/SU valves.

// In case you have questions please do not hesitate to contact our Technical Sales Team:

BITZER GmbH

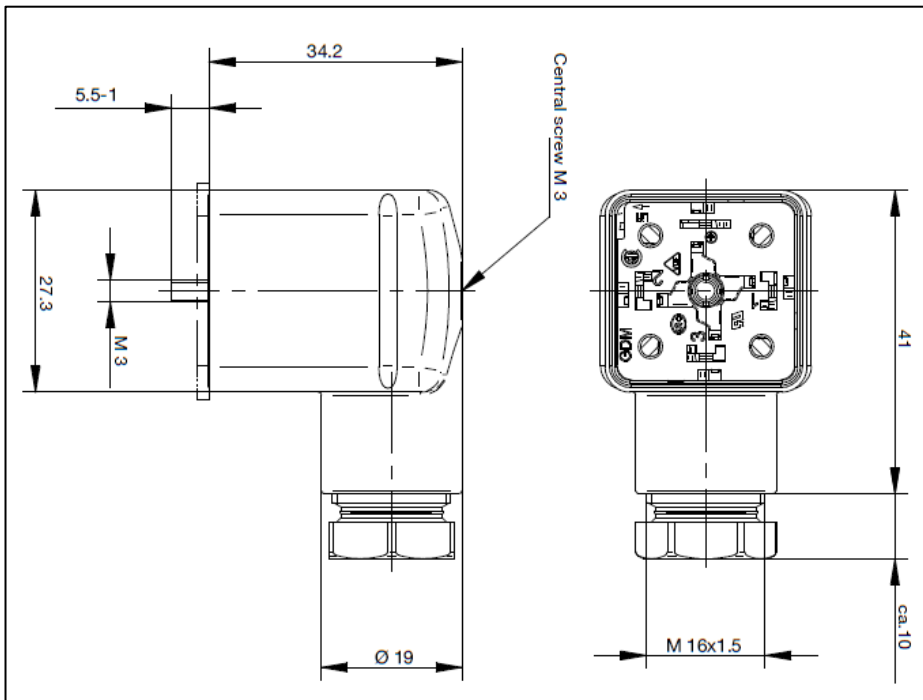
Dietrich-Keller Straße 24
8074 Raaba – Grambach
Tel.: 0043 316 58 26 67 0
technik@bitzer.at

SALES INFORMATION

02-2021 // 2021-FEB-25 // Change of CR/SU valve cable plugs

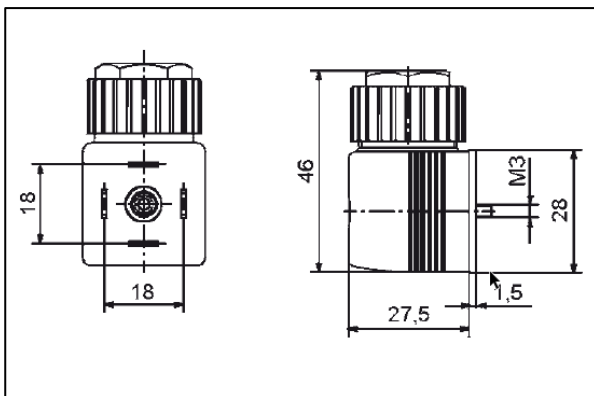
APPENDIX

Dimension in mm

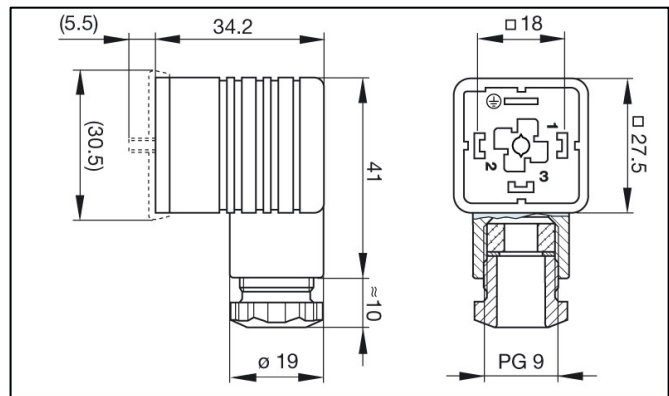


Appendix 1: Dimensional drawing new cable plug P/N: 38901902

Previous execution P/N: 38901901



Previous execution P/N: 38900201



Appendix 2: Dimensional drawing old cable plugs

SALES INFORMATION

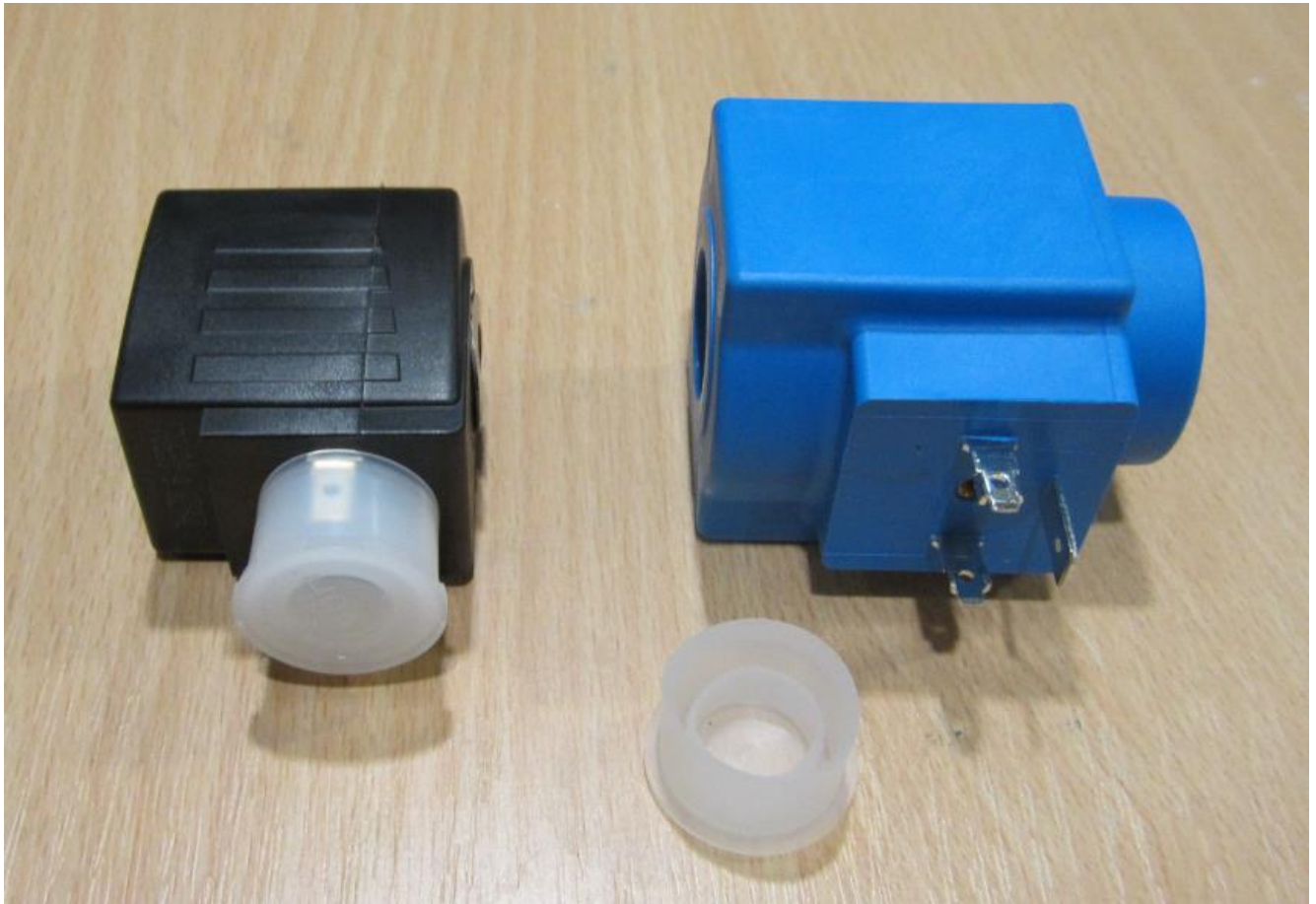
02-2021 // 2021-FEB-25 // Change of CR/SU valve cable plugs

1. General technical data	
Product properties	Angled (without cable)
Materials	
Cover	Polyamide
Contact material	Brass
Seal materials	NBR
Cable	–
Cable outlet	Can be rotated through 4x90°
Cable gland	M16x1.5 angled variants
Transition resistance	≤ 10 mΩ Standard
Pole number	2+PE
Electrical data	
Nominal voltage	Yes – according to version Detailed information can be found in chapter “5. Ordering information” on page 11.
Performance data	
Operating display	Yellow LED, if available
Medium data	
Continuous limit temperature	-30 °C...+90 °C
Approvals and Certificates	
Protection class	IP65, IP67
UL	All versions with clamping ring
VDE	All versions except pole protection and free-wheeling diode with or without LED
Product connections	
Connection type	Screw terminal
Electrical connection	Tag connectors acc. DIN EN 175301 – 803 form A
Plug cycles	Max. 50
Suitable cables	Ø6.0...Ø8.0 mm, 0.205...1.5mm ²
Conductor size	0.25 mm ² ...1.5 mm ²

Appendix 3: General technical data of the new cable plug P/N: 38901902

SALES INFORMATION

02-2021 // 2021-FEB-25 // Change of CR/SU valve cable plugs



Appendix 4: Example of the protective cap, securing the pins of the valve coils



SALES INFORMATION

02-2021 // 2021-FEB-25 // Change of CR/SU valve cable plugs



Appendix 5: Detailed view of the packaging of the new cable plug (P/N 38901902).